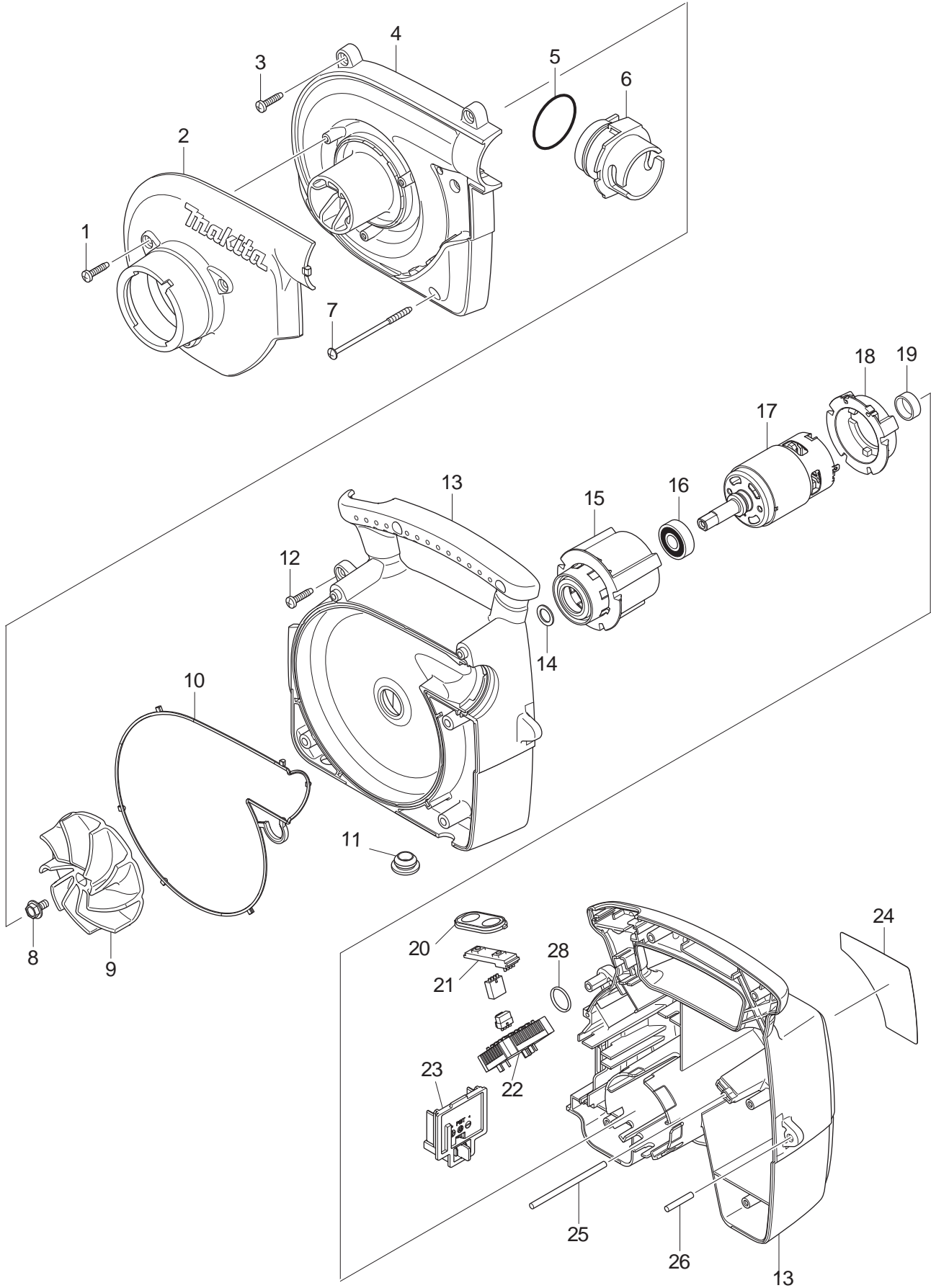




05 - 2014
DVC350F, DVC350Z
18V CLEANER



Item No	Type	Sub	Part No	Description	Qty	Unit
001			265995-6	TAPPING SCREW 4X18	3	PC.
002			140642-9	FRONT COVER COMPLETE	1	PC.
003			265995-6	TAPPING SCREW 4X18	2	PC.
004			451989-9	FAN COVER	1	PC.
005			213508-7	O RING 38	1	PC.
006			452067-8	JOINT	1	PC.
007			266049-2	TAPPING SCREW 4X75	3	PC.
008			266614-7	HEX. FLANGE HEAD BOLT M5X10	1	PC.
009			240122-6	FAN 86	1	PC.
010			424332-5	SEAL RING	1	PC.
011			286238-3	CAP 19	4	PC.
012			265995-6	TAPPING SCREW 4X18	3	PC.
013			187008-2	MOTOR HOUSING SET	1	SET
		INC.		Item No. 10		
014			267047-9	FLAT WASHER 10	1	PC.
015			424330-9	MOTOR RUBBER RING A	1	PC.
016			210059-1	BALL BEARING 6000DDW	1	PC.
017			629888-5	DC MOTOR	1	PC.
018			424331-7	MOTOR RUBBER RING B	1	PC.
019			421940-3	CAP	1	PC.
020			140463-9	SWITCH PLATE COMPLETE	1	PC.
021			631973-2	SWITCH UNIT	1	PC.
022			620036-9	CONTROLLER	1	PC.
023			643852-2	TERMINAL	1	PC.
024			815X14-8	DVC350 NAME PLATE	1	PC.
025			268092-7	PIN 4	1	PC.
026			256206-0	PIN 4	1	PC.
028			259048-1	RING	1	PC.
D01			654051-1	EARTH TERMINAL	1	PC.
D02			654069-2	RECEPTACLE	2	PC.

ACCESSORIES

- See catalogue or visit www.makita.ca for more optional accessories -

A01			122918-6	DUSTBAG ASSEMBLY	1	PC.
A02			140456-6	HOSE COMPLETE 28-2.5 W/FRONT CUFF 22	1	PC.
	2	INC.	195547-8	FRONT CUFF 22	1	PC.
A03			166094-6	SHOULDER BELT	1	PC.
A04			132025-7	NOZZLE ASS'Y	1	PC.
		INC.	414145-2	JOINT	1	PC.
A05	2		195545-2	FRONT CUFF 38 PKG (BULK# 417766-9)	1	PC.
A06			-----	18V LI-ION BATTERY		
A07			-----	BATTERY CHARGER		
A08			-----	LI-ION BATTERY ACCESSORIES		